



SurgeGuard - Surge arresters - Class II for (DC) photovoltaic applications						
<ul style="list-style-type: none"> • IEC 61643-1 • IEC 61643-11/EN 61643-11 • DIN VDE 0675-6 Imax / In - 40/15kA 			<ul style="list-style-type: none"> • NF C61-740 • BS 6651 • Umax - 275V(1P) 400V(3P) / pole 			
Item Code	6-digit	Imax In	Poles	Up	Umax	
SAPHOT600V	667508	40/15kA	2P	2600V	600VDC	
SAPHOT1000V	667509	40/15kA	2P	3800V	1000VDC	



PV Switches up to 1000VDC						
<ul style="list-style-type: none"> • Mechanical Service Life: 30,000 ops • Uimp - 6kV • Dimensions - 600VDC Switch : 78x46x55mm 			<ul style="list-style-type: none"> • Dimensions - 1000VDC 63A Switch : 100x90x73mm • Dimensions - 1000VDC 80-100A Switch : 100x105x73mm 			
Item Code	V DC	Rated Ith DC-20	Poles	Ir @ 1000VDC	Ir @ 600VDC	
247532	600	16A	2		16	
247533	600	25A	3	10	25	
247534	600	40A	3	25	40	
247536	1000	63A	8	63	-	
247537	1000	80A	8	80	-	
247538	1000	100A	8	100	-	

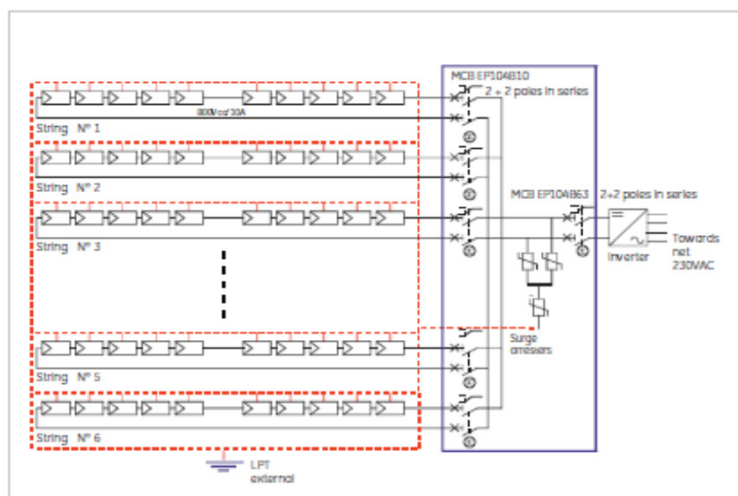
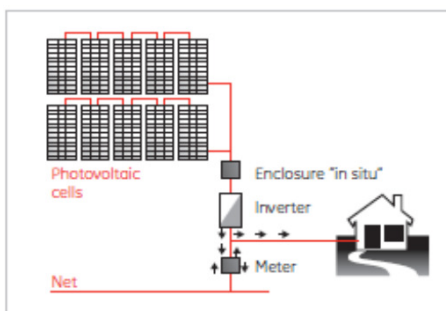


Enclosed PV Switch			
<ul style="list-style-type: none"> • Enclosure to protect DC entry at PV inverter level (1 for each inverter) • Enclosure IP65 (130 x 130 x 100 mm) • DC connectors, type MC-4 			
<ul style="list-style-type: none"> • Clear identification of inputs/outputs 			
Item Code	V DC	Rated Ith DC-20	IP Rating
817590	600	40A	IP 65



DC PV MCB's (880VDC 4P) - B Curve					
• AC/DC acc. to EN/IEC 60898-2 - 4P 800VDC 6kA Ics=Icu					
Item Code	6-digit	Rating	VDC	No of Mods	
EP104UCB10	690200	10A	880VDC	4.5	
EP104UCB16	688029	16A	880VDC	4.5	
EP104UCB20	688026	20A	880VDC	4.5	
EP104UCB25	691580	25A	880VDC	4.5	
EP104UCB32	691581	32A	880VDC	4.5	
EP104UCB40	688027	40A	880VDC	4.5	
EP104UCB63	688028	63A	880VDC	4.5	

Example of the wiring in a Photovoltaic application



Example of installation in enclosure "in situ"